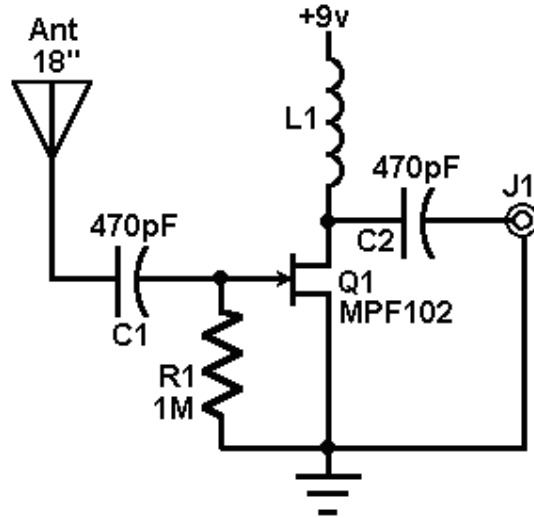


AM/FM/SW active antenna



This circuit shows an active antenna that can be used for AM, FM, and shortwave (SW). On the shortwave band this active antenna is comparable to a 20 to 30 foot wire antenna. This circuit is designed to be used on receivers that use untuned wire antennas, such as inexpensive units and car radios. L1 can be selected for the application. A 470uH coil works on lower frequencies (AM). For shortwave, try a 20uH coil. The unit can be powered by a 9 volt battery. If a power supply is used, bypass the power supply with a .04uF capacitor to prevent noise pickup. The antenna used on this circuit is a standard 18" telescoping type. Output is taken from jack J1 and run to the input on the receiver.

Source: "Popular Electronics" Magazine, Jul,89 issue (C) Copyright Gernsback Publications, Inc., 1989

本文内容来自互联网，著作权归原作者所有。由电子零件城 (<http://www.epcity.com/>) 整理并制作成 PDF 文件，仅供个人学习之用，不得用于任何商业目的，否则后果自负。如果您认为本 PDF 文件侵犯了您的任何权利，请来信 epcity@epcity.com 通知，本站立即删除。

搜集整理：电子零件城-笨笨兔 (QQ: 154502842) 2004-04-10