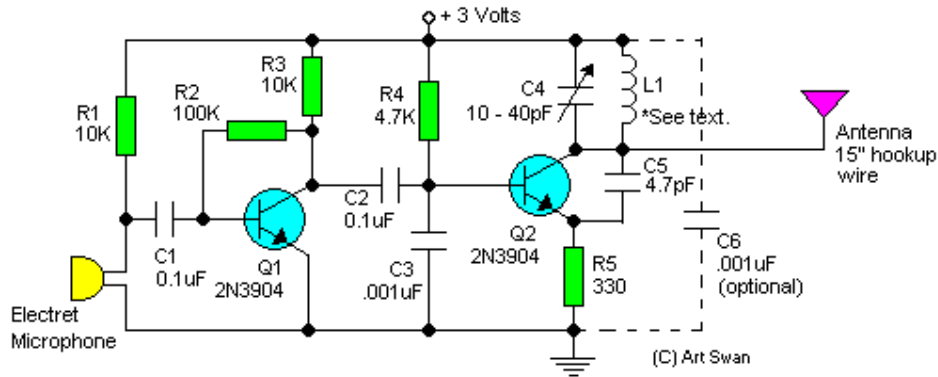


Sensitive FM Transmitter

Sensitive FM Transmitter



* L1 = 0.1 UH, 6 to 8 turns of 22 ga. hookup wire close wound around a 1/4 inch diameter non-conductive core such as a pencil.

Additional Notes

The default for the capacitors type is ceramic, preferably the npo 1% type or equivalent. But basically nothing critical here. Use any capacitor you have laying around, but **NO** electrolytic or tantalum caps. Only if you intend to use this circuit outside the home you may want to select more temperature stable capacitors.

本文内容来自互联网，著作权归原作者所有。由电子零件城 (<http://www.epcity.com/>) 整理并制作成 PDF 文件，仅供个人学习之用，不得用于任何商业目的，否则后果自负。如果您认为本 PDF 文件侵犯了您的任何权利，请来信 epcity@epcity.com 通知，本站立即删除。

搜集整理：电子零件城-笨笨兔 (QQ: 154502842) 2004-04-10